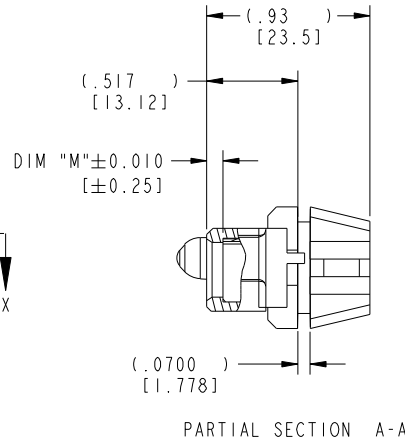
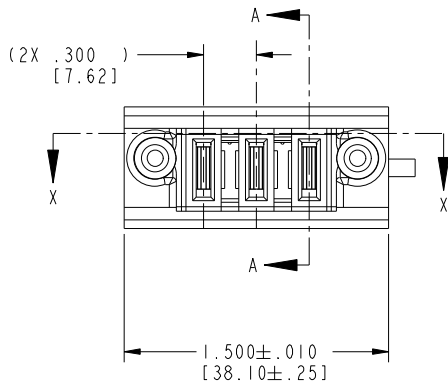
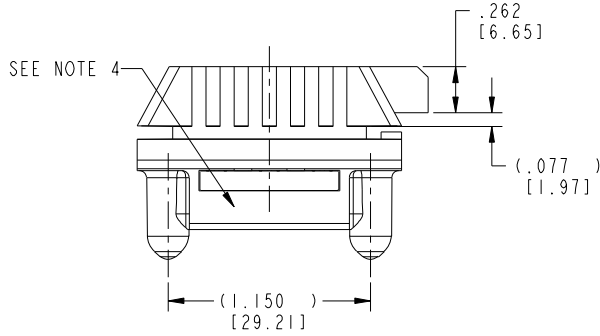


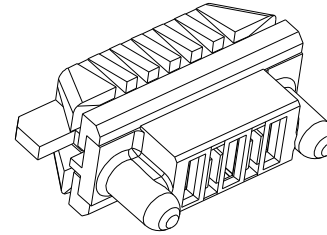
Tous droits strictement reserves. Reproduction ou communication a des tiers interdite sous quelque forme que ce soit sans autorisation écrite du propriétaire. Propriete de c FCI. Droits de reproduction FCI.

All rights strictly reserved. Reproduction or issue to third parties in any form whatever is not permitted without written authority from the proprietor. Property of FCI. Copyright FCI.

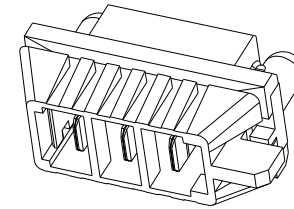
PRODUCT NO. 51908-001_- NOTE (3)	POWER				
	E2	P3	P2	P1	E1



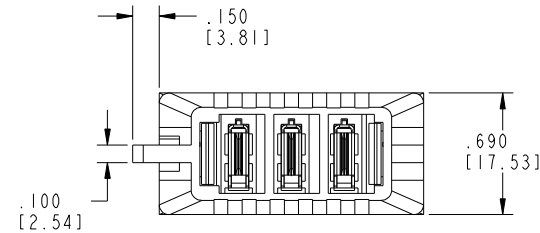
PARTIAL SECTION A-A



SCALE 1:1



SCALE 1:1



CODE	DIM"MM" ±0.010 [0.25]	CONTACT TYPE
PG	0.042 [1.07]	POWER
PH	0.092 [2.34]	POWER

mat'l code SEE NOTE 2				tolerances unless otherwise specified		CUSTOMER				www.fciconnect.com	
ltr	ecn no.	dr	date	linear	.XX±.01/0.X±0.3	COPY			title		
A	V20507	JWS	03-22-02		.XXX±.005/0.XX±0.13	projection			3P FLOATING CABLE RECEPTACLE KIT ASSEMBLY		
B	DG05-0056	LH	05-03-29		.XXX±.002/0.XXX±0.051				product family PWRBLADE code 213		
				angles	0°±2°	INCH/MM		size		sheet	
				dr	J. SWAIN 02/19/02	scale		dwg no		1 of 2	
				enr	J. SWAIN 02-19-02	1:1		A		51908	
				chr	J. SWAIN 02/19/02						
				appd	J. SWAIN 02/19/02						
sheet index	revision sheet	B	B								
		1	2								

cage code 22526

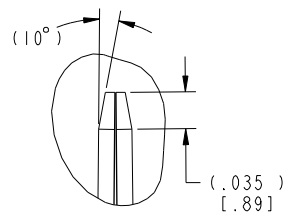
Pro/E

Tous droits strictement réservés. Reproduction ou communication à des tiers interdite sous quelque forme que ce soit sans autorisation écrite du propriétaire. Propriété de c FCI. Droits de reproduction FCI.

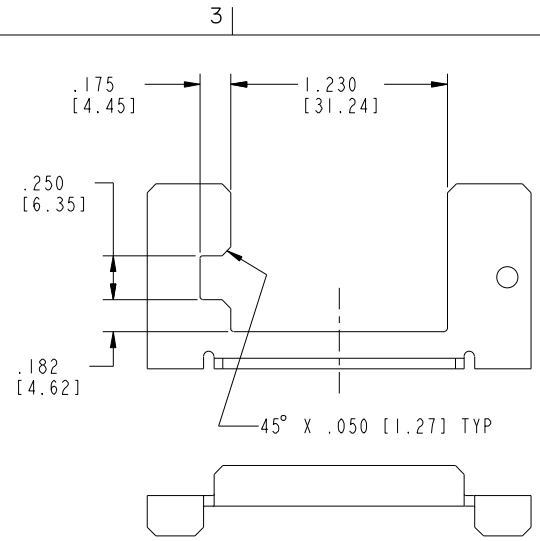
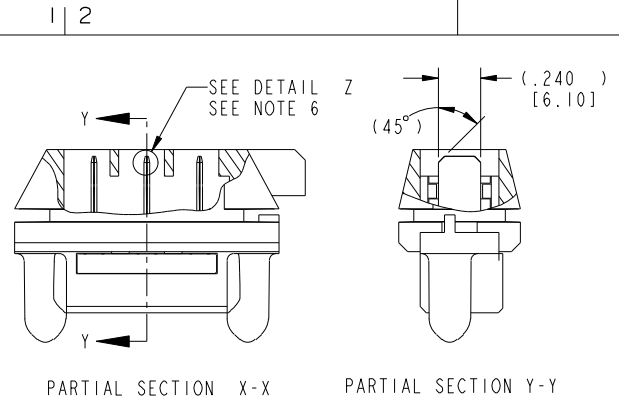
**FCI**

All rights strictly reserved. Reproduction or issue to third parties in any form whatever is not permitted without written authority from the proprietor. Property of FCI. Copyright FCI.

PRODUCT NUMBER  
51908-001  
NOTE 3



DETAIL Z  
SCALE 6:1



NOTES:

1. DIMENSIONS AND TOLERANCES ARE IN ACCORDANCE WITH ASME Y14.5M, 1994, UNLESS OTHERWISE SPECIFIED.
2. MATERIAL:  
HOUSING: UL 94 V-0 GLASS-FILLED HIGH TEMP THERMOPLASTIC.  
POWER CONTACT: COPPER ALLOY
3. PLATING:  
51908-001: 50u"/1.27um Ni UNDER ALL  
30u"/0.76um Au IN CONTACT AREA, 100u"/2.54um SnPb ON REAR CONTACT TABS.

51908-001LF: 50u"/1.27um Ni UNDER ALL  
30u"/0.76um Au IN CONTACT AREA, 78u"/2.00um Sn ON REAR CONTACT TABS.

PART NUMBER 51908-001LF MEETS EUROPEAN UNION DIRECTIVE AND OTHER COUNTRY REGULATIONS AS DESCRIBED IN GS-22-008.

4. MANUFACTURER NAME, P/N, AND DATE CODE TO APPEAR ON THIS SURFACE.
5. PERFORMANCE:  
PRODUCT SPECIFICATION: GS-12-149, CONNECTOR MATING INTERFACE. CURRENT CARRYING CAPACITY VERIFIED TO 25A MAX, ALL CONTACTS POWERED, 30° MAX T-RISE, GENERIC CABLE AND QUICK DISCONNECT TERMINAL.
6. APPLICATION:  
CONNECTOR TO BE BULKHEAD MOUNTED. SEE RECOMMENDED BRACKET CUTOUT DIMENSIONS.

REAR TAB CONTACTS TERMINATE TO 14AWG WIRES WITH INDUSTRY STANDARD FEMALE .250 INCH QUICK-DISCONNECT TERMINALS CAPABLE OF MATING TO A STANDARD .032 INCH THICK X .250 INCH WIDE MALE TAB TERMINAL.

FOR MATING DIMENSIONS, SEE APPLICATION SPECIFICATION BUS-20-067.

mat'l code				tolerances unless otherwise specified		CUSTOMER		<b>FCI</b> www.fciconnect.com	
ltr	ecn no.	dr	date	linear	.XX±.01/0.X±0.3	COPY		title 3P FLOATING CABLE RECEPTACLE KIT ASSEMBLY	
B	--	--	--		.XXX±.005/0.XX±0.13	projection	product family PWRBLADE		code 213
					.XXX±.0020/0.XXX±0.051				
				angles	0°±?	INCH/MM			
		dr	J. SWAIN	02/19/02	scale 1:1		A	cage code 22526	
		enr	J. SWAIN	02-19-02					
		chr	J. SWAIN	02/19/02					
		appd	J. SWAIN	02/19/02					
sheet index	revision sheet								

Pro/E 3 cage code 22526 4